



COMMERCIAL

stainless steel



**SANITARY
EQUIPMENT**
wall hung
wc pan

SWC - PAN - WM

SANITARY EQUIPMENT - WALL HUNG WATER CLOSET PAN



COMMERCIAL stainless steel



WALL HUNG WC PAN MODEL SWC - PAN - WM

features

- Grade 304 (18/10) Stainless Steel
- Durable
- Hygienic
- Outer body totally enclosed
- Complies with paper removal test: SABS 497:2:006
- Complies with flushing test: SABS 1733:2007
- External surfaces of 1,2mm gauge. Mounting panel 3mm gauge.
- Integral "P" trap and WC shroud
- All plumbing built into wall
- Inlet and outlet to suit standard flush pipe/PVC or cast iron sewerage systems.
- Seat provision
- Fixed to wall with 12mm anchor bolts (Supplied by installer).

MODEL SWC-PAN-WM

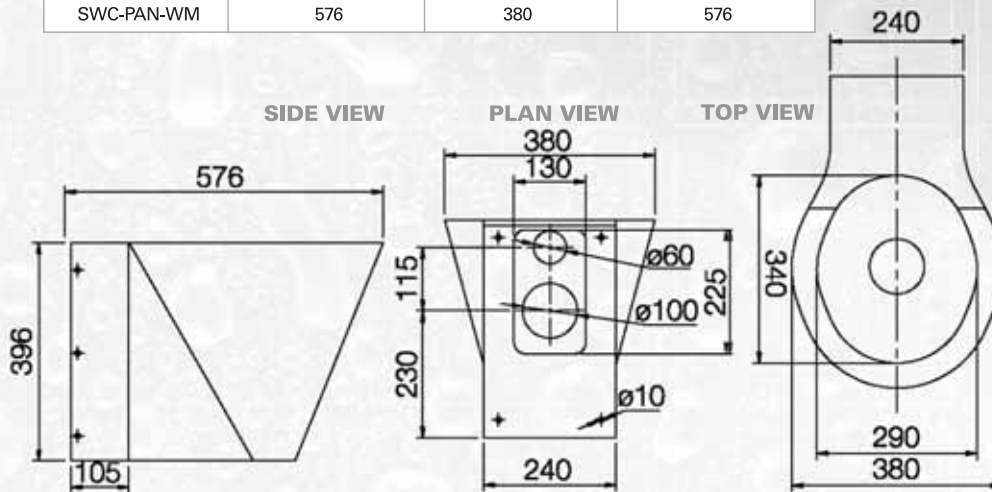


specifications for model SWC - PAN - WM

Kwikot Wall Hung WC Pan Code: SWC-PAN-WM manufactured from Grade 304 (18/10) Stainless Steel complete with pressed integral "P" trap and wall mounting bracket.

standard size for model SWC - PAN - WM

MODEL	HEIGHT (mm)	WIDTH (mm)	DEPTH
SWC-PAN-WM	576	380	576



SANITARY EQUIPMENT - WALL HUNG WATER CLOSET PAN

**Kwikot (Pty) Ltd
Inland Division**
P.O. Box 1016
Benoni
1500
Tel: 011 897 4600
Fax: 011 914 4750

**After Sales Service :
0861KWIKOT (594568)**

**Kwikot (Pty) Ltd
Kwazulu-Natal Division**
P.O. Box 47366
Greyville
Durban
4023
Tel: 031 574 8700
Fax: 031 574 8750

www.kwikot.com

**Kwikot (Pty) Ltd
Eastern Cape Division**
P.O. Box 29142
Sunridge Park
Port Elizabeth
6008
Tel: 041 399 4000
Fax: 041 367 1005

**Kwikot (Pty) Ltd
Western Cape Division**
P.O. Box 443
Eppingdust
Cape Town
7475
Tel: 021 690 2700
Fax: 021 690 2800